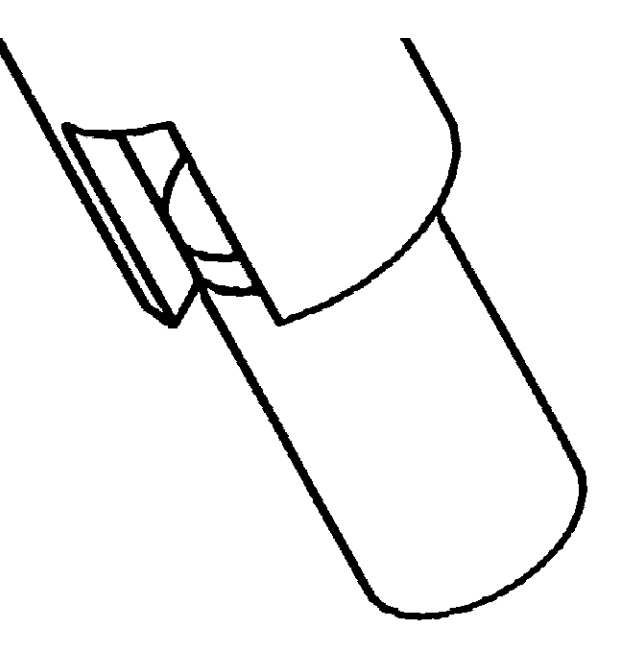
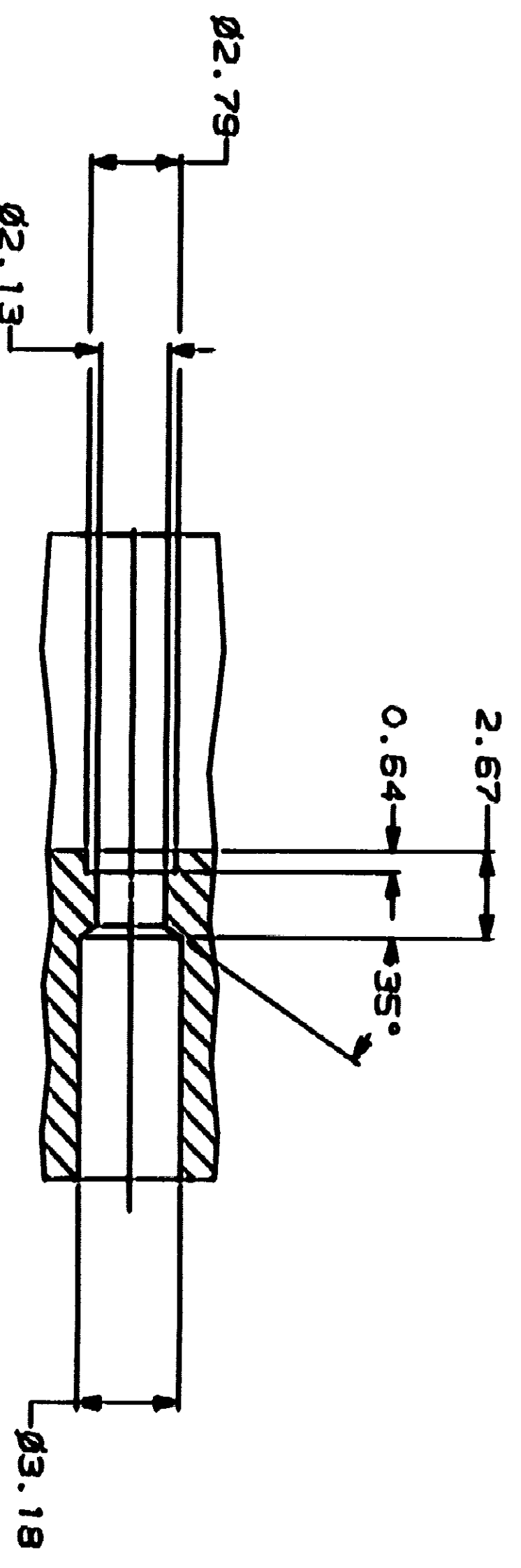
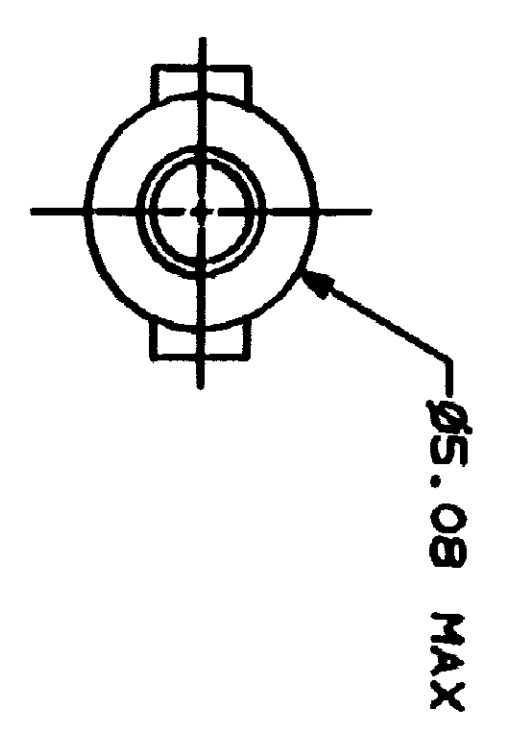
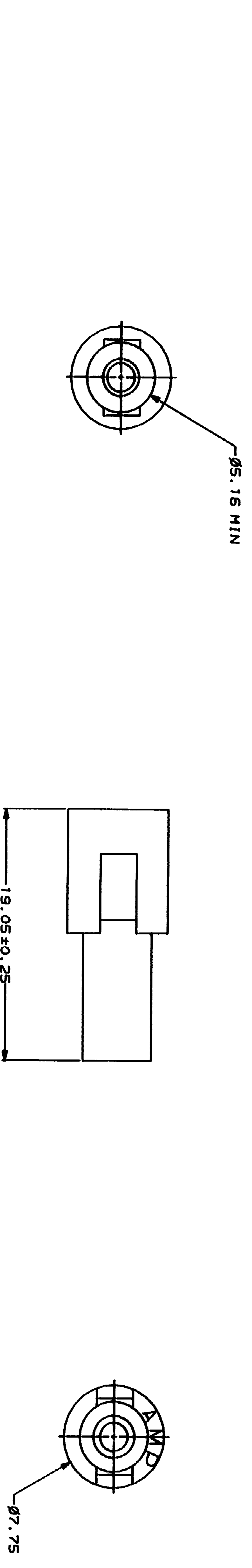


DATE	APP'D
1-18-84	CM

AWING

7	6	5	4	3	2
REVISIONS					
CM	53	REV 8	REQUAL PER CH-11		



INSIONAL MODEL
NTS

CONVERSION TABLE					
1.57	.052	3.18	.125	19.05	.750
0.64	.025	2.79	.110	7.75	.305
0.25	.010	2.67	.105	5.16	.203
0.13	.005	2.13	.084	5.08	.200
MM	IN	MM	IN	MM	IN

METRIC

FOR CONVERSION TO METRIC DIMENSIONS
SEE THE METRIC DIMENSIONAL SYSTEM

DO NOT SCALE PRINT. DIMENSIONS SPECIFIED UNLESS OTHERWISE NOTED DIMENSIONS IN INCHES 2 P.L.C. DEC. ± 0.13 3 P.L.C. DEC. ± 0.13 MATERIALS	DR 2-15-84 K. WILKINS R. SMITH	NAME	AMP
NYLON UL 94V-2 NATURAL	APPD 2-17-84 C. CLASH	PLUG, 1 CIRCUIT .062 PIN AND 50	AMP Incorporated Harrisburg, PA
FINISH	PRODUCT SPEC	SIZE	SCALE
	APPLICATOR SPEC	D	00779
		SCALE	5:1
		QUANTITY NO.	770278

CUSTOMER